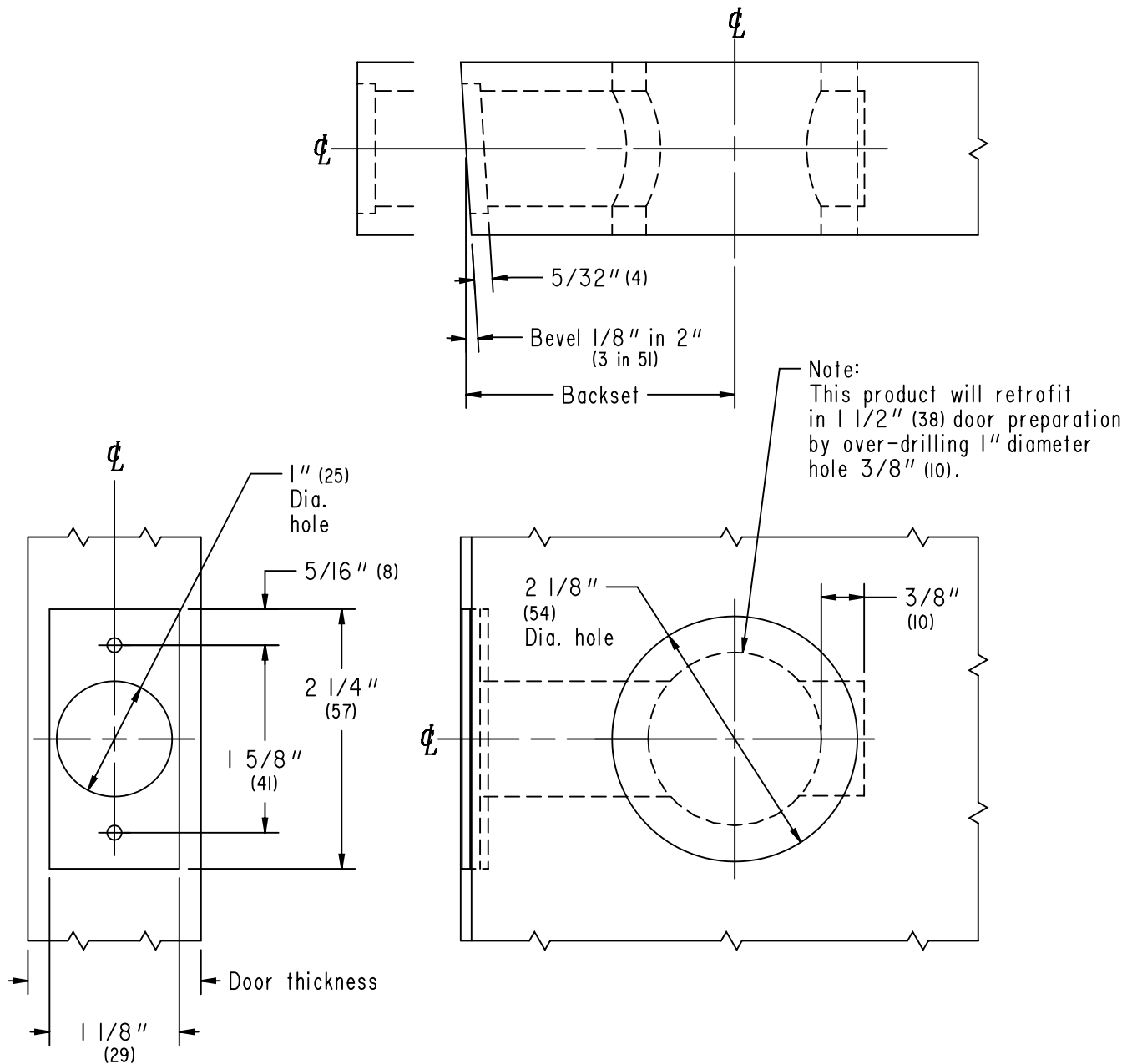


B660 B760 B860
 B661 B761 B861
 B662 B762 B862
 B663 B763 B863

1 3/8" (35) to 2 1/2" (64) wood or composite doors
 1 1/8" (29) faceplate, flat or beveled

Note: Dimensions shown in parenthesis () are in millimeters.

SCHLAGE®
**B600/700/800-
 Series**



TEMPLATE NO. B888	JOB _____	BACKSETS B888-C, 2 3/8" (60) B888-E, 3 3/4" (95) B888-D, 2 3/4" (70) B888-F, 5" (127)
	DATE _____ DOOR THICKNESS _____ REMARKS _____	

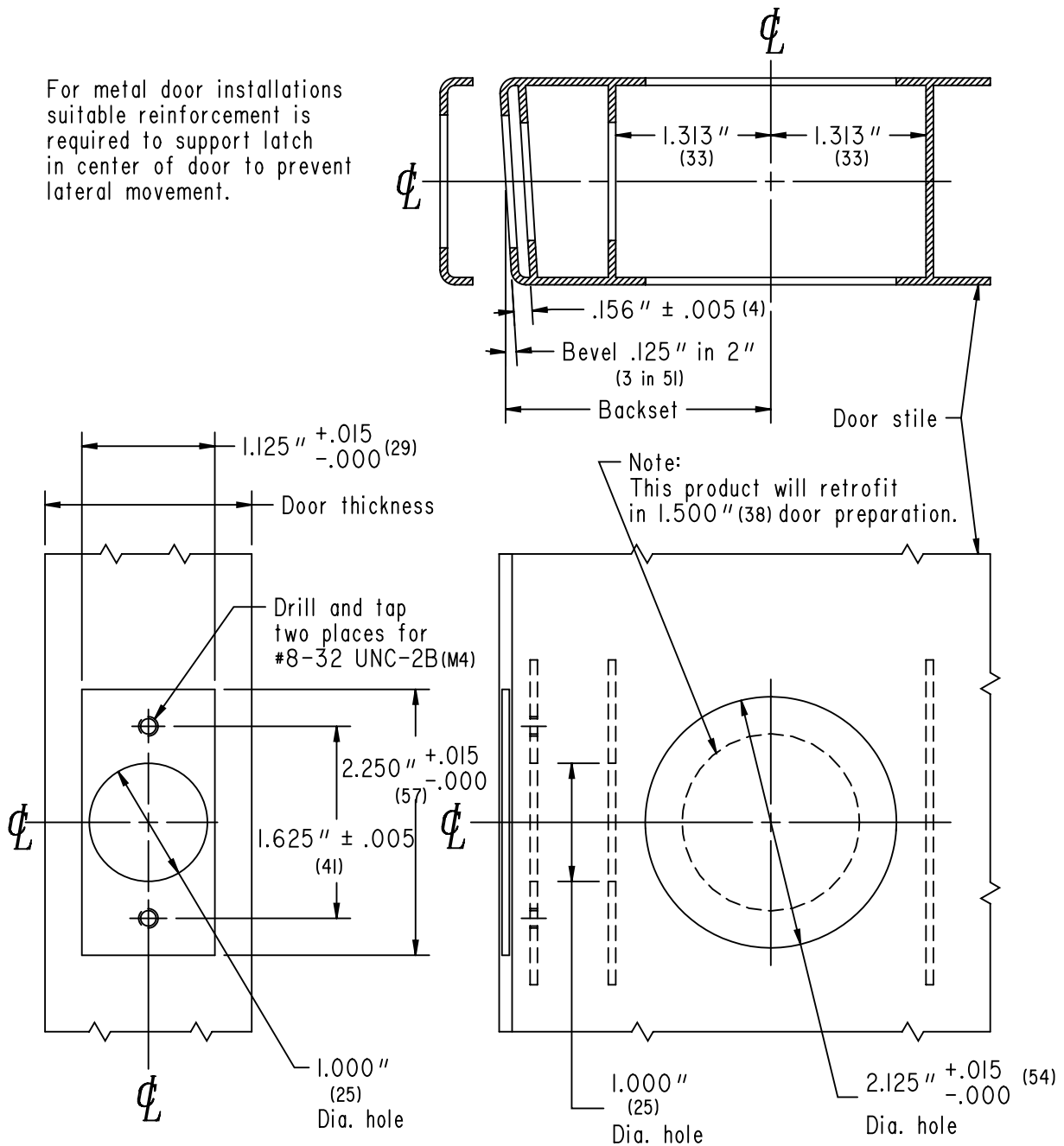
B660 B760 B860
 B661 B761 B861
 B662 B762 B862
 B663 B763 B863

1 3/8" (35) to 2 1/2" (64) thickness metal doors
 1 1/8" (29) faceplate, flat or beveled

Note: Dimensions shown in parenthesis () are in millimeters.

SCHLAGE®
B600/700/800-
Series

For metal door installations suitable reinforcement is required to support latch in center of door to prevent lateral movement.



<p>BACKSETS</p> <p>B889-C, 2 3/8" (60) B889-E, 3 3/4" (95) B889-D, 2 3/4" (70) B889-F, 5" (127)</p>	<p>JOB _____</p> <p>DATE _____ DOOR THICKNESS _____</p> <p>REMARKS _____</p>	<p>TEMPLATE NO.</p> <p>B889</p>
---	--	--

B660 B760 B860
 B661 B761 B861
 B662 B762 B862
 B663 B763 B863

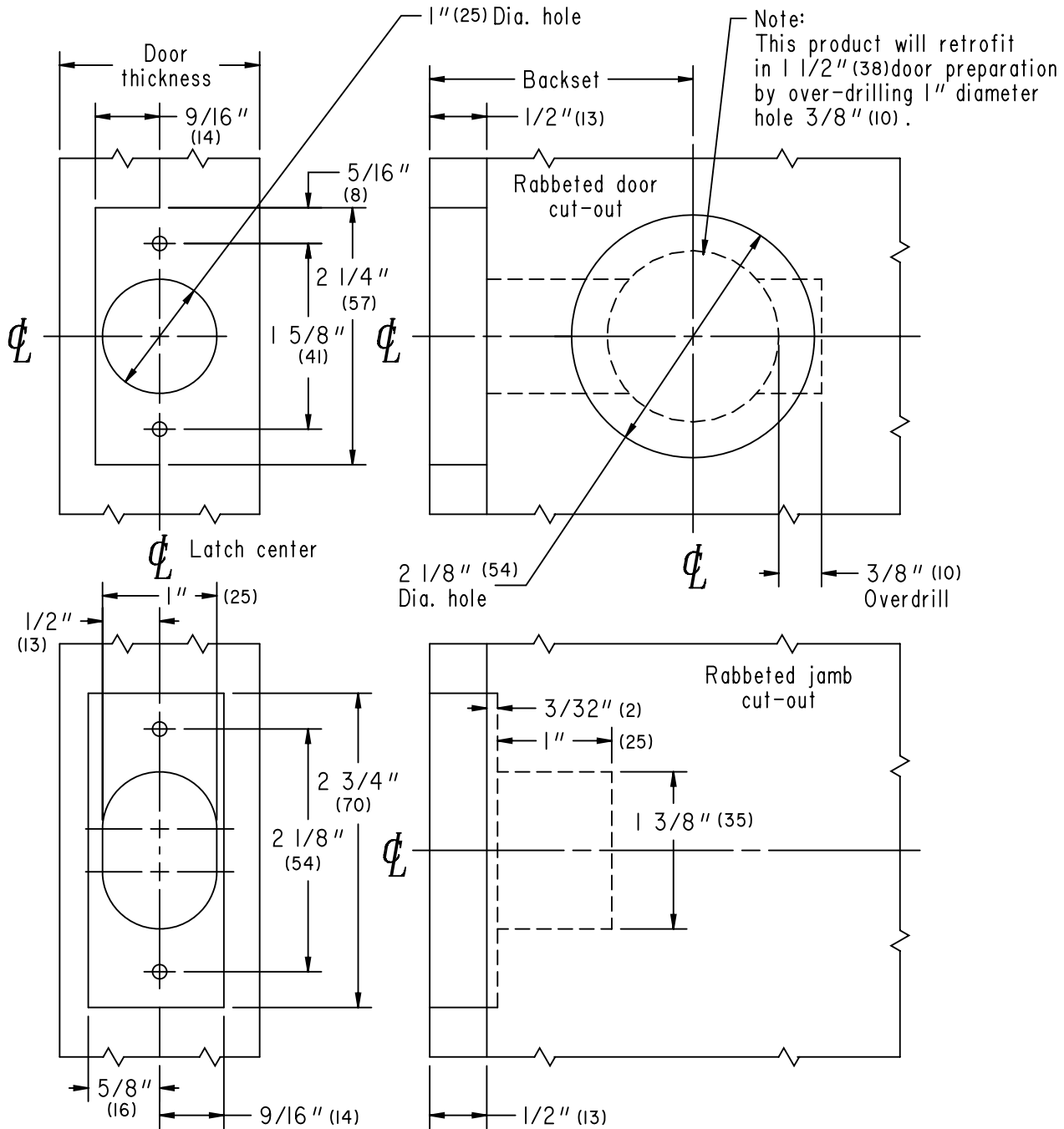
1³/₈" (35) to 2¹/₂" (64) wood or composite doors

1¹/₈" (29) flat, 1/2" (13) rabbeted faceplate and strike

Note: Dimensions shown in parenthesis () are in millimeters.

SCHLAGE®

**B600/700/800-
 Series
 Rabbeted**



TEMPLATE NO. B890	JOB _____	BACKSETS B890-C, 2 ³ / ₈ " (60) B890-E, 3 ³ / ₄ " (95) B890-D, 2 ³ / ₄ " (70) B890-F, 5" (127)
	DATE _____ DOOR THICKNESS _____	
REMARKS _____		

B660 B760 B860
 B661 B761 B861
 B662 B762 B862
 B663 B763 B863

1 3/8" (35) to 2 1/2" (64) wood or composite doors

Circular faceplate, flat, drive-in bolt

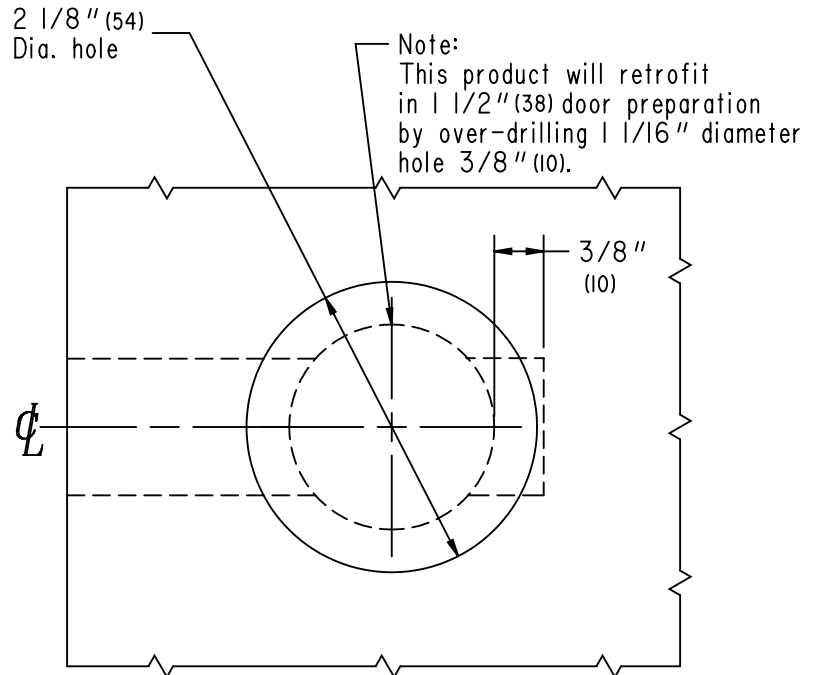
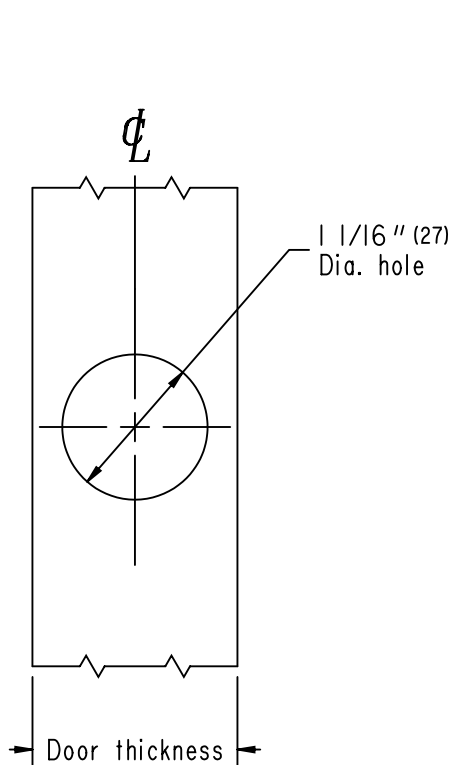
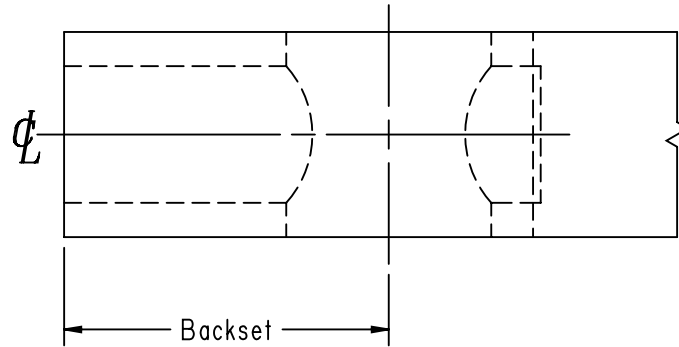
Note: Dimensions shown in parenthesis () are in millimeters.

SCHLAGE®

B600/700/800-

Series

Drive-in



BACKSETS	JOB _____	TEMPLATE NO.
B891-C, 2 3/8" (60) B891-E, 3 3/4" (95)	DATE _____ DOOR THICKNESS _____	B891
B891-D, 2 3/4" (70) B891-F, 5" (127)	REMARKS _____	

B660 B760 B860
 B661 B761 B861
 B662 B762 B862
 B663 B763 B863

1³/₈" (35) to 2¹/₂" (64) metal doors

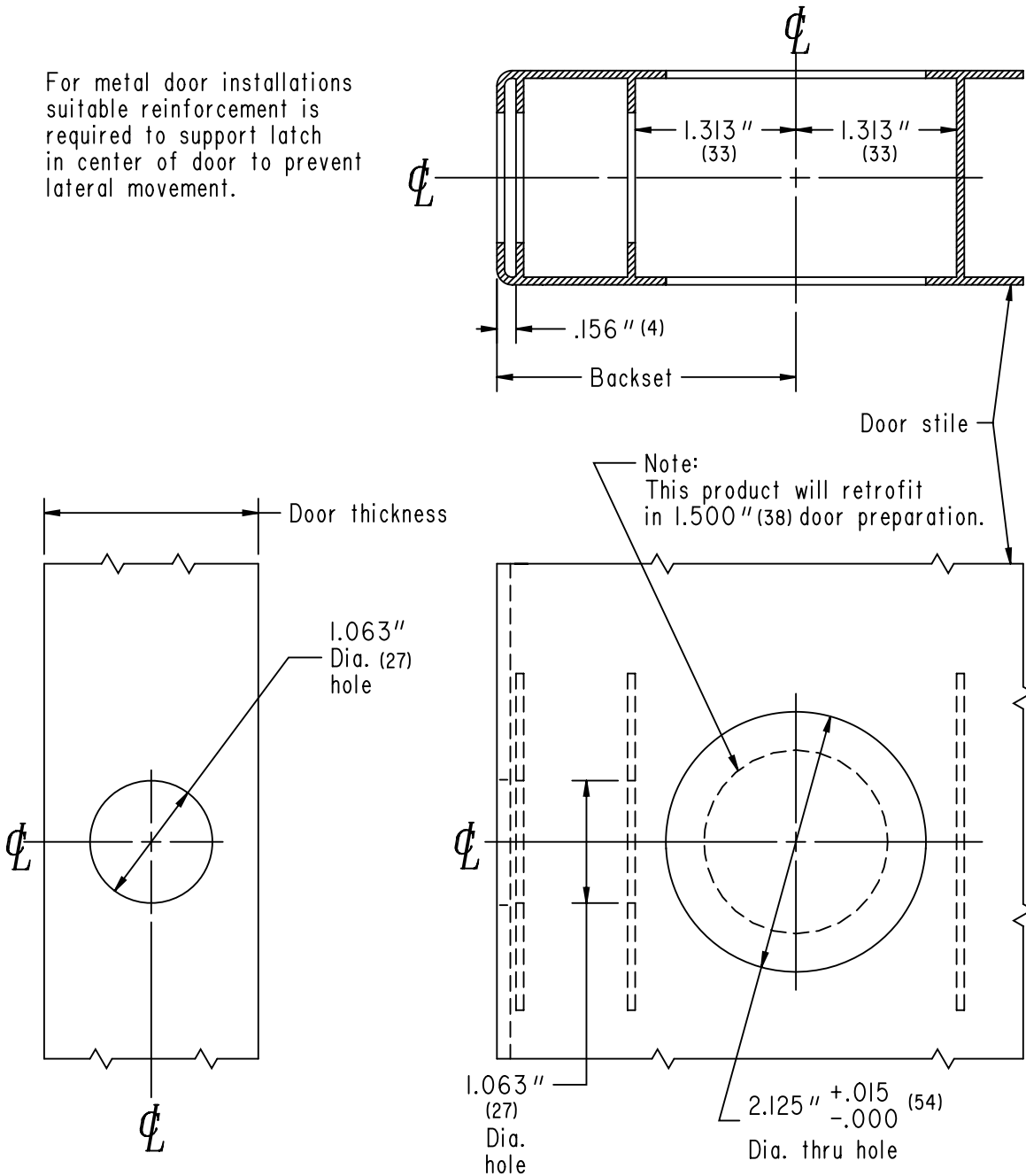
Circular faceplate, flat, drive-in bolt

Note: Dimensions shown in parenthesis () are in millimeters.

SCHLAGE®

**B600/700/800-
 Series
 Drive-in**

For metal door installations suitable reinforcement is required to support latch in center of door to prevent lateral movement.



TEMPLATE NO. B892	JOB _____ DATE _____ DOOR THICKNESS _____ REMARKS _____	BACKSETS B892-C, 2 ³ / ₈ " (60) B892-E, 3 ³ / ₄ " (95) B892-D, 2 ³ / ₄ " (70) B892-F, 5" (127)
-----------------------------	---	---